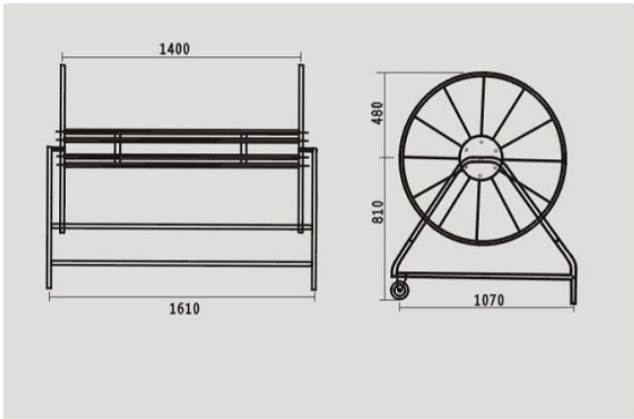


Storage Reel

Made of stainless steel, provided with a large diameter wheel for line collection, mounted on 2 wheels for moving around. It is very strong and durable. Holds one 50m or two 25m lanes. Maintenance free. The ideal lane reel for commercial and institutes pools.



MSC-RLSR-1



Racing Lane Line

Racing Lane's flow-through design controls water turbulence by allowing wave energy to be dispersed along the length of the lane, creating the optimum environment for the fastest swim times. Each lane consists of a series of ϕ 120 or ϕ 150mm polyethylene disks and donuts strung on a stainless steel cable. Each of these disks is designed to rotate independently of the others, thereby allowing the wave energy to be absorbed and dispersed along the channel within the lane. Competitor lanes come completely assembled.

Standard Colors - Red, White, Blue, Yellow.



Model	Diameter	Length
MSC-RL25	120MM	25METER
MSC-RL50	120MM	50METER