

STARTING BLOCKS FOR COMPETITION POOLS



BCN03 Starting blocks



The BCN03 Starting block, developed and patented by AstralPool for the FINA Swimming World Championships held in Barcelona in 2003, introduces two innovations:

- allows the swimmer to adjust the angle of the block* manually. They can choose the angle most suitable from the available 0°, 3°, 6° and 10°.

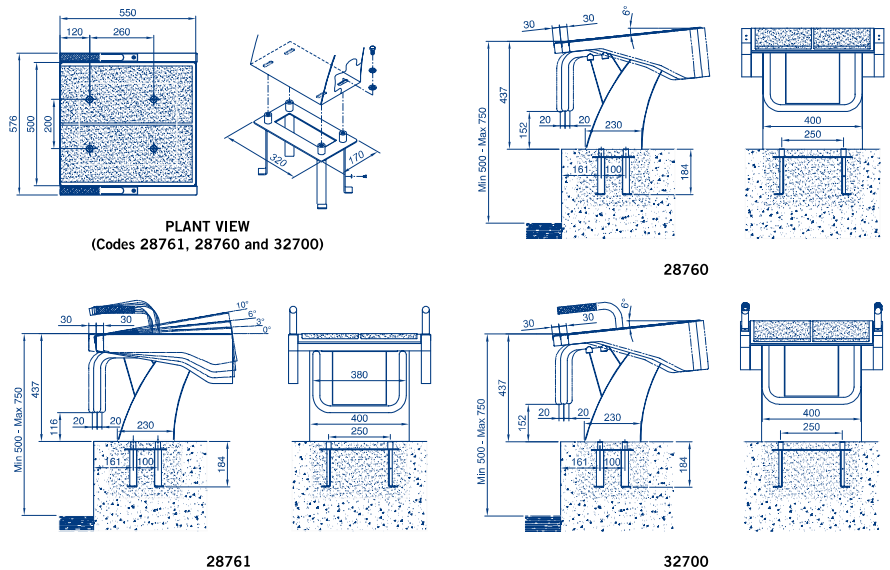
* The regulations of the International Swimming Federation (FINA) (FR2.7) allow an angle between 0 and 10° on the starting block. So far, all the starting blocks available in the market have consisted of a fixed unadjustable platform.

- side grip bars.

The starting block is manufactured using AISI-316 Stainless Steel. The standard starting platform can be dismantled to enable assembly of the Omega electronic timing system. It can also be adapted to other timing systems under request. The platform is 550 mm long x 500 mm wide, with a polished finish, and 437 mm high. Ideal for installation in a swimming pool with side walls. Anchoring system for concrete is also included.

	Code	Standard Packing	Standard Weight	Standard Volume m ³
BCN03 Block manual adjustment and fixed side handles	28761	1	48.8	0.237
Fixed BCN03 Eco podium without side handles	28760	1	40.4	0.237

Note: Eco versions are fixed at 6°. Anchoring for competition starting block in AISI-316 54460 not included.



Starting block for Competition 2011

New

Competition 2011 Starting block Podium for competition, with 6 adjustable positions to facilitate the swimmer movements. Made of stainless steel AISI-316 polished finish. The standard starting platform can be dismantled to enable assembly of the Omega electronic timing system. It can also be adapted to other timing systems under request. The platform is 500 mm long x 580 wide. 400 mm of height allow installation in swimming pools with benches, platforms or side walls. Concrete anchors not included. Depending on installation type anchoring system, code 54460 is required.

	Code	Standard Packing	Standard Weight	Standard Volume m ³
Starting block for Competition 2011	53875	1	49.5	0.25

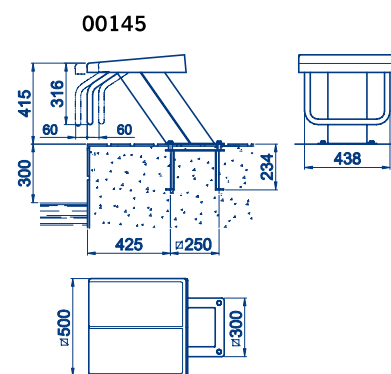
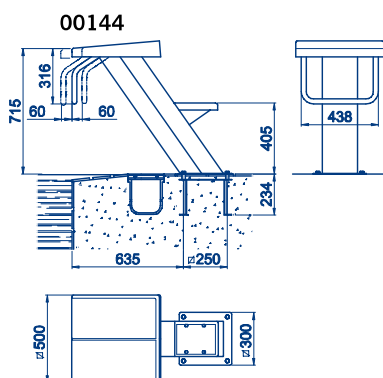
STARTING BLOCKS FOR COMPETITION POOLS



Starting blocks

Base in S.S. AISI-316. Adjustable platform in polyester & fibreglass with non-slip finish 500 mm x 500 mm. Number sequence not included. Anchoring fixtures not included in the supply.

	Code	Standard Packing	Standard Weight	Standard Volume m ³
POLISHED FINISH: Height 700 mm	00144	1	32.0	0.36
Height 400 mm	00145	1	25.3	0.18
IN WHITE EPOXY PAINT: Height 400 mm	19957	1	25.3	0.18



Note: Plate anchoring for starting block in AISI-316 54461 not included..

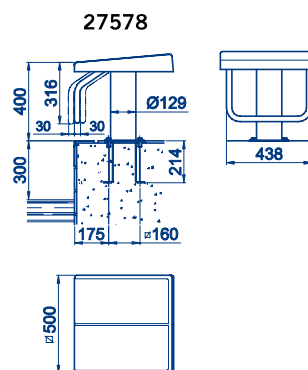
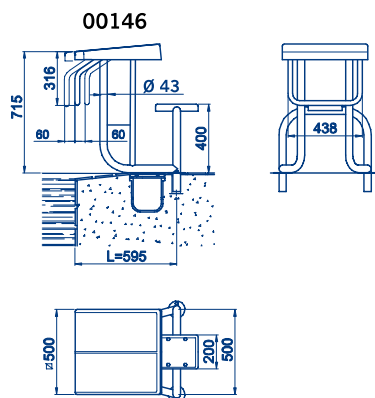


Starting blocks

Made in S.S. AISI-304. Platform in Polyester and fibreglass with non-slip finish 500 mm x 500 mm. Number sequence not included. Anchoring fixtures not included in the supply.

	Code	Standard Packing	Standard Weight	Standard Volume m ³
POLISHED FINISH: Height 700 mm	00146	1	25.0	0.48
Height 400 mm	27578	1	18.0	0.11
IN WHITE EPOXY PAINT: Height 700 mm	19958	1	25.0	0.48
IN WHITE EPOXY PAINT: Height 400 mm	27836	1	-	-

Note: The 00146 platform can be manufactured, made to order, for adapting it to overflow level. In this case the distance L must be provided.



Note: Tube anchoring for starting block in AISI-304 54462 not included