

LADDER

WALL OR "MURO" MODEL

Code	05492	05493	05494	05495
Steps	2	3	4	5
A	350	350	350	350
B	620	620	620	620
C	250	250	250	250
D	710	960	1210	1460
E	180	180	180	180
F	500	500	500	500

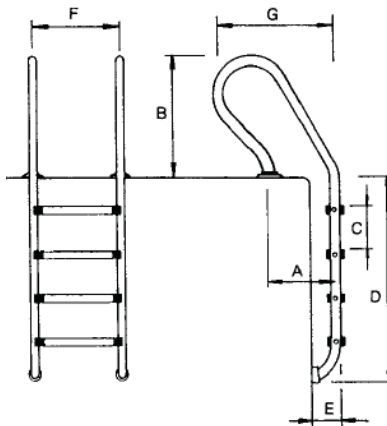
Ladders with handrails for embedded pool. Handrails manufactured in Ø 43 hand polished stainless steel 304 tube. Steps are also in stainless steel.

It's accurate and safety design avoids the possibility of slipping or cutting.

Complete with fixing anchors and earth connection.

Also Comes with plastic stoppers that rest against the pool wall and protect it from damage.

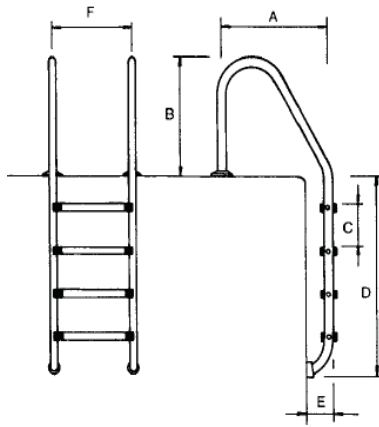
Also available in 316 Stainless Steel.



LADDER

MIXED MODEL

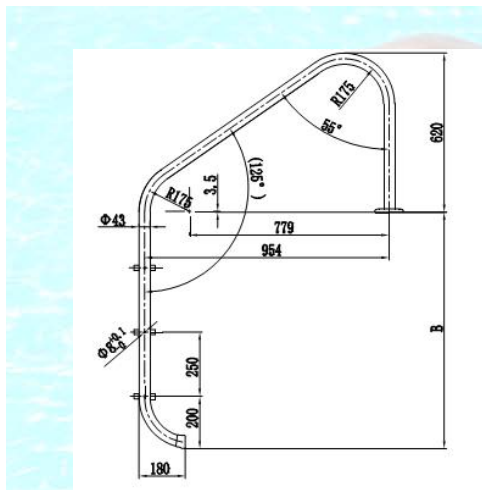
Code	05496	05497	05498	05499
Steps	2	3	4	5
A	350	350	350	350
B	620	620	620	620
C	250	250	250	250
D	710	960	1210	1460
E	180	180	180	180
F	500	500	500	500



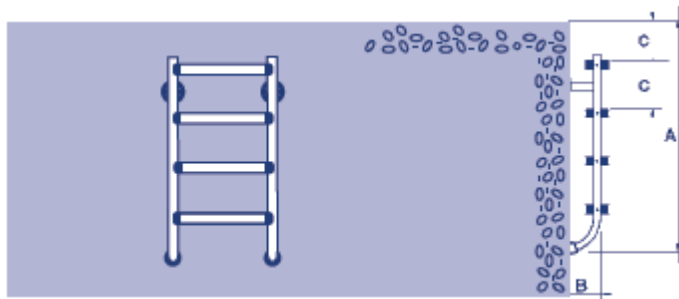
LADDER STANDARD MODEL				
Code	05488	05489	05490	05491
Steps	2	3	4	5
A	650	650	650	650
B	620	620	620	620
C	250	250	250	250
D	710	960	1210	1460
E	180	180	180	180
F	500	500	500	500



overflow stainless steel ladder



LADDER OVERFLOW MODEL		
Code	Steps	B
01010401A	2	667
01010402A	3	917
01010403A	4	1167



SPLIT BOTTOM HALF LADDER CODE: 011000ESP			
STEP	A	B	C
5	1460	180	250

5 steps stainless steel 304 ladder normally used in pump room