

SLIDES

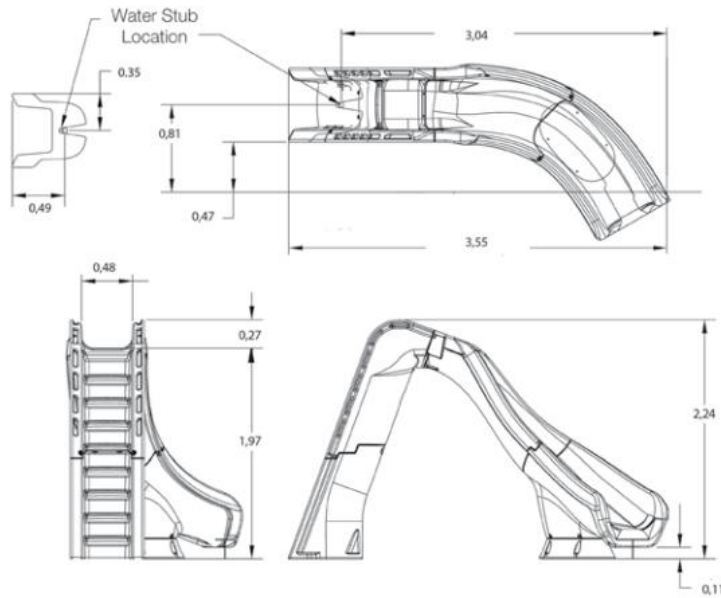
Model Typhoon



Rotomolded slides with handrails and an enclosed non-slip ladder that ensure a safety use. It is compatible with Salt Chlorinators system as it is indicated with a label "Salt Pool Approved". It is fitted with water inlet to make easy the scrolling down. Height of 2.10 metres. Colours available: Sandstone.

Code	Standard Packaging	Standard Weight kg	Standard Volume m ³
52253	1	61	-

Colour available:



Model Cyclone



Rotomolded slides with handrails and an enclosed non-slip ladder that ensure a safety use. It is compatible with Salt Chlorinators system as it is indicated with a label "Salt Pool Approved". It is fitted with water inlet to make easy the scrolling down. Height of 1.20 metres. Colours available: Taupe.

Code	Standard Packaging	Standard Weight kg	Standard Volume m ³
52254	1	115	-

Colour available:

