

## Hydro 5000 Cast Iron Pump

The Hydro 5000 features a hydraulically efficient bronze impeller which allows for quiet operation and excellent flow plus an 18 litre capacity strainer.



- Heavy duty IP55 weather proofed motor with 431 stainless steel shaft.
- 4" Flanged Discharge Port.
- Clear polycarbonate strainer lid enables an instant view of the strainer basket
- New lock ring with easy grip handles - no tools required for simple removal & replacement of the lid
- Moulded polypropylene basket
- 6" Flanged Suction Port
- Rugged cast iron construction.
- Drain Plug
- Enclosed bronze impeller and bronze wear rings for long lasting reliability.
- Integral support base for ease of mounting.



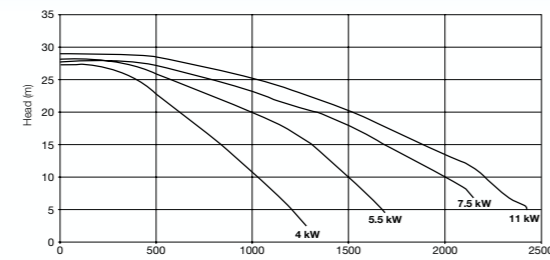
Strainer - Top View

Pump and strainer can be sold separately.

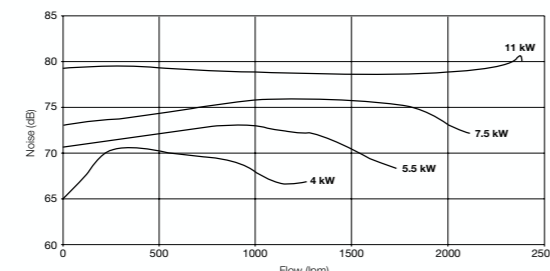
### Materials

Part	Materials
Pump Bracket	Cast Iron
Pump Body Gasket	Neoprene
Seal Assembly	Alumina Ceramic/SS316/Carbon (Silicon Carbide optional)
Impeller	Bronze
Pump Housing	Cast Iron
Strainer Basket	Polypropylene
Strainer Lid	Polycarbonate
Lock Ring	Noryl

### Flow Curves



### Sound Levels



### Electrical Specifications

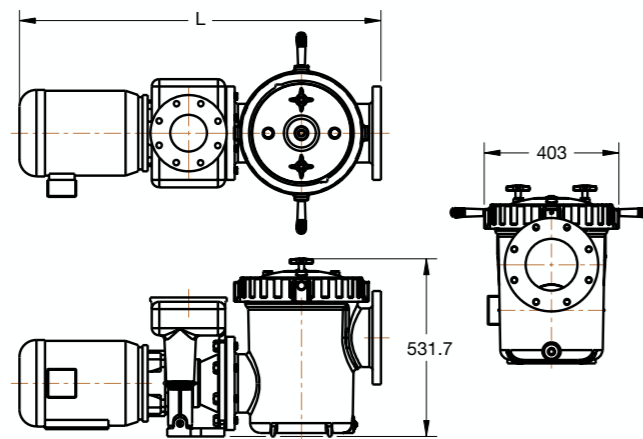
Pump Code	Model	Motor Input (HP)	Motor Input (kW)	Amps/Phase	Phase	Volts
2409400	4.0kW	5.4	4.0	6.8	3	380-420
2409550	5.5kW	7.4	5.5	9.2	3	380-420
2409750	7.5kW	10.0	7.5	13.2	3	380-420
24091100	11.0kW	14.7	11.0	21.5	3	380-420

### Technical Specifications

Pump Code	Model	Weight (kg)	Total Length (mm)	Motor Frame	Pump Rating	Motor RPM
2409400	4.0kW	208	1060	112	IPX5	2950
2409550	5.5kW	221	1124	132	IPX5	2950
2409750	7.5kW	221	1162	132	IPX5	2950
24091100	11.0kW	279	1136	160	IP55	2900

### Dimension (mm)

Model	A	B	D	E	F	L
4kW	260	180	112	95	140	1017
5.5kW & 7.5kW	298	200	132	108	140	1070
11kW	325	220	160	127	210	1198



### Warranty

Waterco commercial pumps are covered by a comprehensive 1 year warranty for commercial installations.

**WATERCO**  
water, the liquid of life



Established since 1981, Waterco is an Australian public listed company involved in the manufacture and distribution of:

- Swimming pool/spa equipment and chemicals
- Domestic water filters, softeners and purifiers
- Commercial and Industrial water treatment equipment.

Waterco's research & development team has created an innovative range of award winning products.

The company's advanced fibreglass winding and pioneering plastic moulding techniques have delivered premium quality products to over 40 countries via its branches operating in Australia, New Zealand, Malaysia, China, the United Kingdom, United States of America, Canada, Indonesia and Singapore.

**30**  
years  
Since 1981

**OFFICES - AUSTRALIA**  
NSW - Sydney (Head Office)  
Tel: +61 2 9898 8600  
QLD - Brisbane  
Tel: +61 7 3299 9900  
VIC/TAS - Melbourne  
Tel: +61 3 9764 1211  
WA - Perth  
Tel: +61 8 9273 1900  
SAINT - Adelaide  
Tel: +61 8 8244 6000  
ACT Distribution  
Tel: +61 2 6280 6476

**OFFICES - OVERSEAS**  
Waterco (Europe) Limited  
Sittingbourne, Kent, UK  
Tel: +44 (0) 1795 521 733  
Waterco (USA) Inc  
Augusta, Georgia, USA  
Tel: +1 706 793 7291  
Waterco Canada  
Longueuil, Quebec, Canada  
Tel: +1 450 796 1421  
Waterco (NZ) Limited  
Auckland, New Zealand  
Tel: +64 9 525 7570

Waterco (C) Limited  
Guangzhou, China  
Tel: +86 20 3222 2180

Waterco (Far East) Sdn Bhd  
Selangor, Malaysia  
Tel: +60 3 6145 6000

PT Waterco Indonesia  
Jakarta, Indonesia  
Tel: +62 21 4585 1481

Waterco Singapore Intl Pte Ltd  
Nehsons Building, Singapore  
Tel: +65 6344 2378

Waterco France  
SAINT PRIEST, France.  
Tel: +33 4 72 79 33 30

DISTRIBUTED BY:

**WATERCO**  
water, the liquid of life



ZZB12-41 01/11



[www.waterco.com](http://www.waterco.com)

### Hydrostar MKIII Pump

Purposed built for commercial sized swimming pools, Hydrostar MKIII pumps efficiently deliver high flow rates and incorporate an innovative quarter lid & lock ring assembly for easy maintenance.

### Hydrosteel Pump

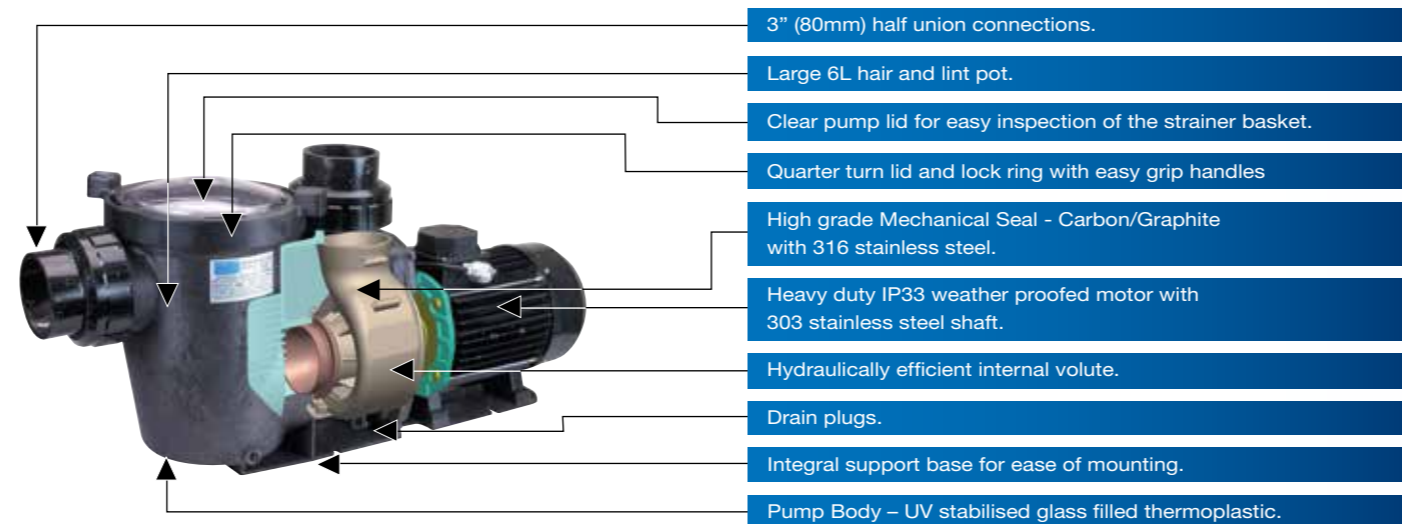
Hydrosteel pumps are the first hybrid of its kind; the pre-strainer is constructed from glass filled thermoplastic, while its impeller and volute are constructed from 316 grade stainless steel.

### Hydro 5000 Cast Iron Pump

The Hydro 5000 Pump is a high performance, self-priming cast iron pump, designed for aquatic facilities, water parks and large commercial swimming pools.

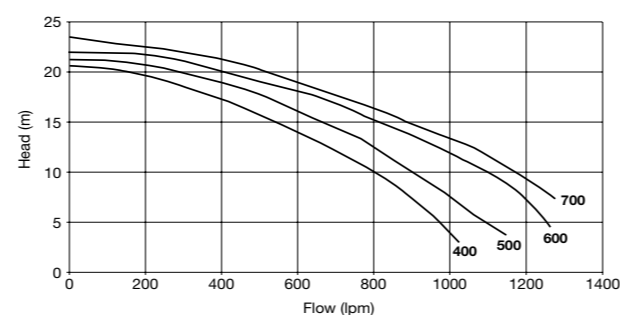
### Hydrostar MKIII

The pump body is manufactured utilising state of the art engineering plastic moulding with a single piece strainer pot and volute for extra strength. A high grade 316 stainless steel mechanical seal is incorporated for extra protection against corrosion. e.g. chlorinated water, ozone, iodine, Baquacil, bromine and saltwater.

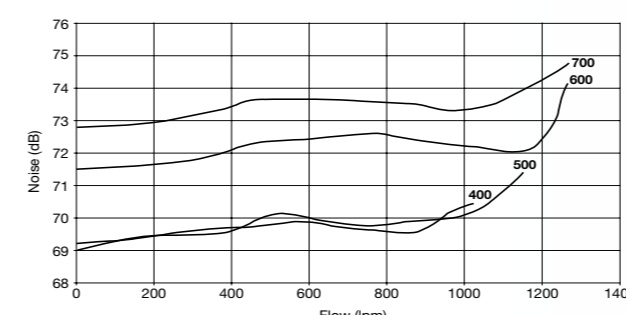


The Hydrostar MKIII has been redesigned to provide a substantially quieter operation with even higher flow rates and higher head than the previous Hydrostar models. Waterco has improved the hydraulic efficiency of the pump with the introduction of an internal volute. The volute's hydraulic design provides a natural balanced water flow and reduces hydraulic turbulence.

#### Flow Curves



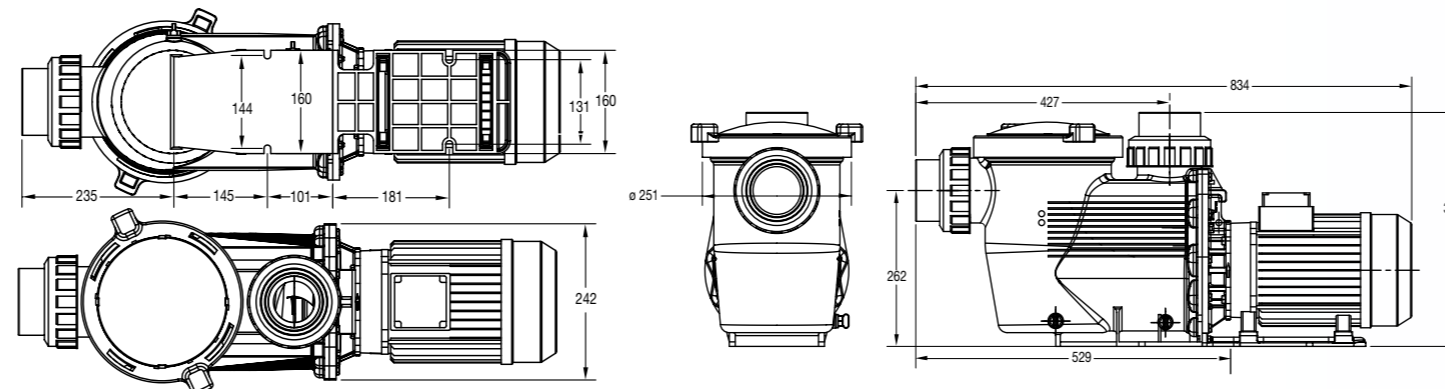
#### Sound Levels



#### Technical Specifications

Pump Code	Model	Nominal Power (HP)	Input Power (kW)	Amps/Phase	Weight (kg)	Total Length (mm)	Motor Frame
240440033	400 MK3	4.0	2.92	5.2	44.0	939	100
240450033	500 MK3	5.0	3.16	5.8	44.0	939	100
240460033	600 MK3	6.0	4.36	7.0	48.5	939	100
240470033	700 MK3	7.0	5.18	8.2	48.5	939	112

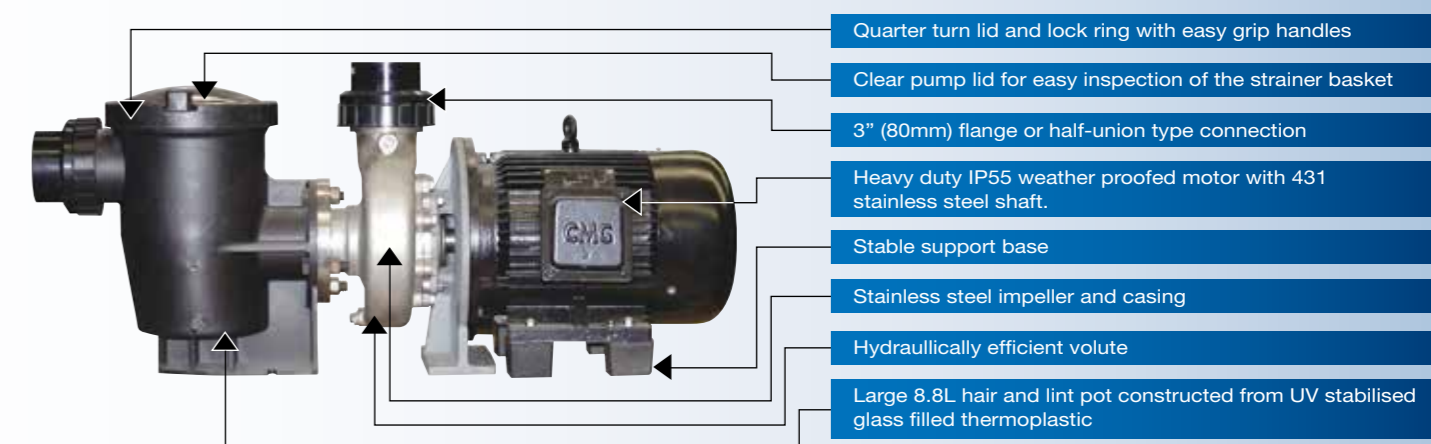
Phase	Volts	Cycle	RPM	Pump Rating
3	380-420	50	2900	IP55



### Hydrosteel Pump

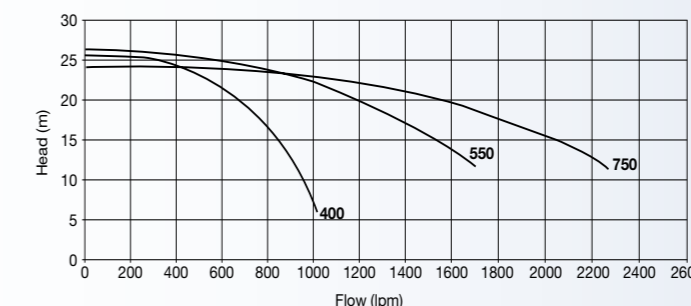
Hydrosteel pumps are the first hybrid of its kind; the pre-strainer is constructed from glass filled thermoplastic, while its impeller and volute are constructed from 316 grade stainless steel, ensuring a high level of durability in corrosive environments.

The pump's volute is hydraulically designed to allow for a natural balanced flow of water and minimise hydraulic turbulence. The result is a highly efficient pump with a low operating noise.

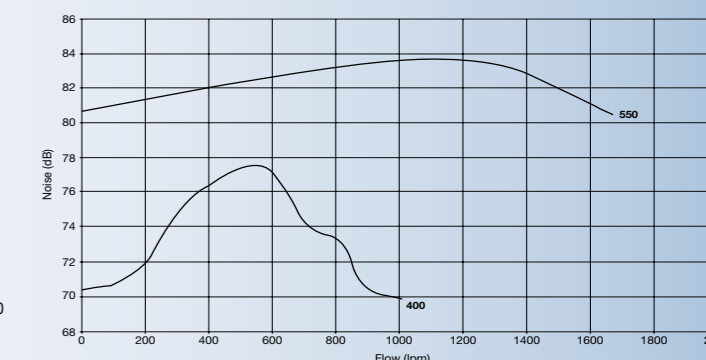


A Silicon Carbide mechanical seal is available – if required for saltwater or other corrosive applications.

#### Flow Curves



#### Sound Levels



Sound level for 7.5kW not available at time of release of this brochure

#### Technical Specifications

Pump Code	Model	Motor Input (HP)	Motor Input (kW)	Amps/Phase	Weight (kg)	Total Length (mm)	Motor Frame
2408400	400F	4.9	3.65	5.5	75	946	112
2408401	400S	4.9	3.65	5.5	75	946	112
2408550	550F	9.1	6.81	10.3	101	1011	132
2408551	550S	9.1	6.81	10.3	101	1011	132
2408753	750F	10.0	8.52	12.9	110	650	132

Phase	Volts	Cycle	RPM	Pump Rating
3	380-420	50	2900	IP55

#### Dimension (mm)

Model	A	B	C	D	E	F	G	H	I
400	946	606	496	406	224	389	274	160	350
550	1011	616	506	406	224	414	299	185	360
750	1240	815	710	595	338	550	315	185	380

